

Uniclass	EPIC
L413:P43	D13:X421
CI/SfB	
(31-4) Xh4	



comar
ARCHITECTURAL ALUMINIUM SYSTEMS

comar5P.i HSW

Horizontal Sliding Window System

The Parkside Group Ltd

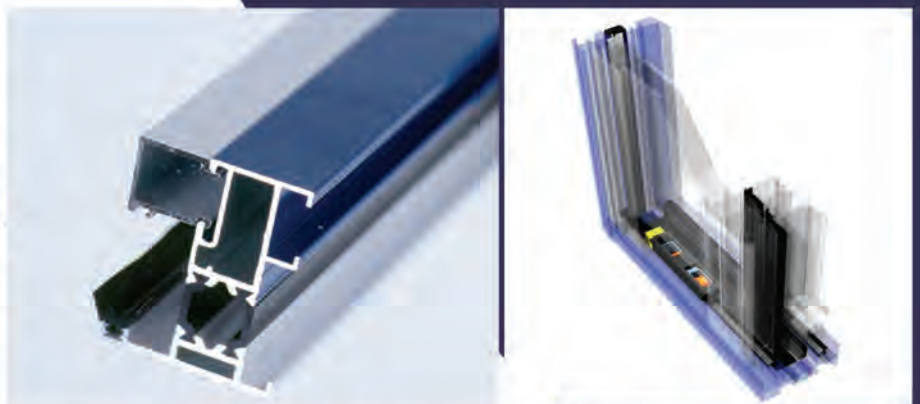
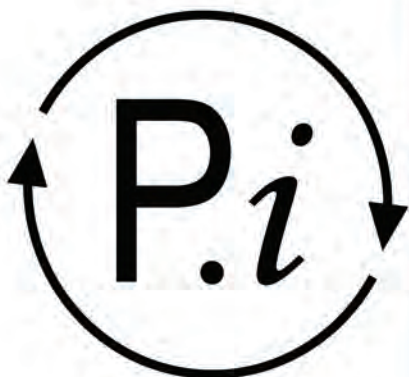
Unit 5, The Willow Centre
17 Willow Lane, Mitcham
Surrey CR4 4NX

Tel: +44(0) 20 8685 9685

Fax: +44(0) 20 8646 5096

Email: sales@parksidegrp.co.uk

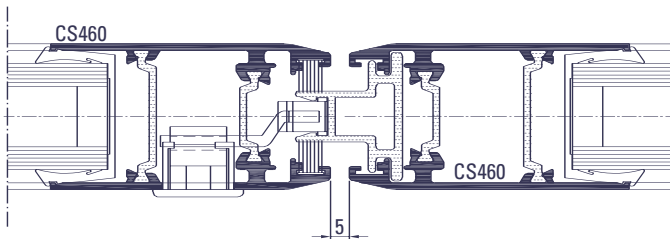
Web: www.comar-alu.co.uk



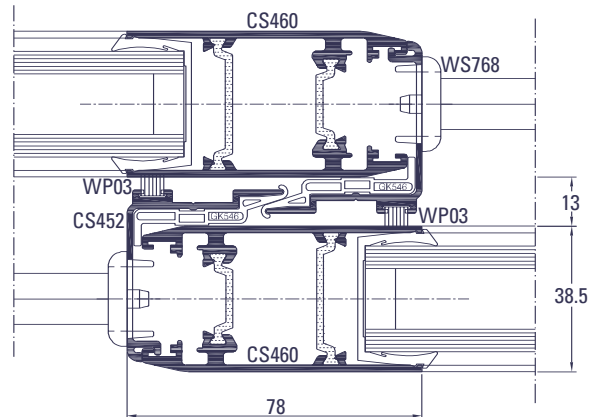
complementing architecture

design

Comar 5P.i. HSW Meeting Stile



Comar 5P.i. HSW Interlock



Comar 5P.i. Horizontal Sliding Window

The Comar 5P.i. HSW is the latest addition to the innovative Comar 5P.i. window suite. With ever increasing demands for energy efficient building materials, Comar 5P.i. HSW incorporates the trademarked P.i. thermal efficiency providing low U-values with an aesthetically pleasing finish. P.i. is a 20mm polyamide strip manufactured from reinforced glass fibre which separates the inner and outer profiles, creating an extremely effective thermal break.

Comar 5P.i. HSW has been developed for applications where high specification, elegant solutions are a key design factor, such as offices, apartments, hospitals and schools. It provides a unique solution where other window types would cause an obstruction internally or externally.

Function is achieved by designing into this elegant profile suite the very latest components, ensuring the longevity of this solution. A polyamide track, with reinforced nylon wheels/rollers, has a precision adjustment mechanism which means that the same components can be used on all sizes of windows. This also serves to ensure long-term ease of maintenance as well as allowing for fabrication, profile and track tolerances.

The rollers are mounted on ball-bearings which ensures the continual smooth operation of the sliding sash. This is borne out by the testing in wet and sandy conditions of over 200,000 open/close cycles.

The strength of the system is proven through the capability to carry 220kg of weight per sash. The tandem rollers and polyamide track can be replaced as part of general maintenance without the need to disassemble the window. For applications where safety is a concern, window restrictors can be fitted at increments to suit the application.

Form is met through the use of 38.5mm curved stiles and all fixings and mounting are concealed. The fixing of handles and keep require no internal screws, due to precision punching. Drainage holes are covered with discreet caps. The caps help to provide the exceptional weather performance of Comar 5P.i HSW's as they have a specially extruded back-fin, preventing the ingress of water and directing water out through this face drained system. When the windows are closed, the woolpile and fin ensure a draught free solution.

For prestigious projects the frames can be dual colour, with different colours to the interior and exterior profiles.

perform

Combinations & Integration

The window system can be manufactured in the following combinations:

- 2 part sliding
- 2 part sliding with fixed panes
- 3 part sliding
- 3 part sliding with fixed panes
- 4 part sliding
- 4 part sliding with fixed panes

The inherent integration that is a cornerstone of all Comar products forms a natural element of the Comar 5P.i HSW. Comar 5P.i HSW can be coupled to the rest of the Comar 5P.i window configurations to form combinations of fixed, sliding, Tilt and Turn, pivot and casement composites as well as integrating into Comar 2 window walling and Comar 6 curtain walling. Comar 5P.i can be coupled directly to Comar 7P.i. rebated doors to create sliding side lights to entrances.

Locking Options

Locking options are achieved through a latching hook lock, flush mounted pull handle with concealed fixings. Locks are equipped with an automatic or manual latching facility. Locks and handles are stocked in white or silver powder coated finishes. Other colours are available to special order and delivery.

Ventilation

In keeping with the latest building regulations, we would recommend the use of Comar-DUCOflat in-glaze ventilation which can provide air-flow up to 15,000mm².

Glazing Options

Panels and glass can be incorporated into the window with options for 10-12mm or 23-29mm widths.

Thermal Performance of Window Sets

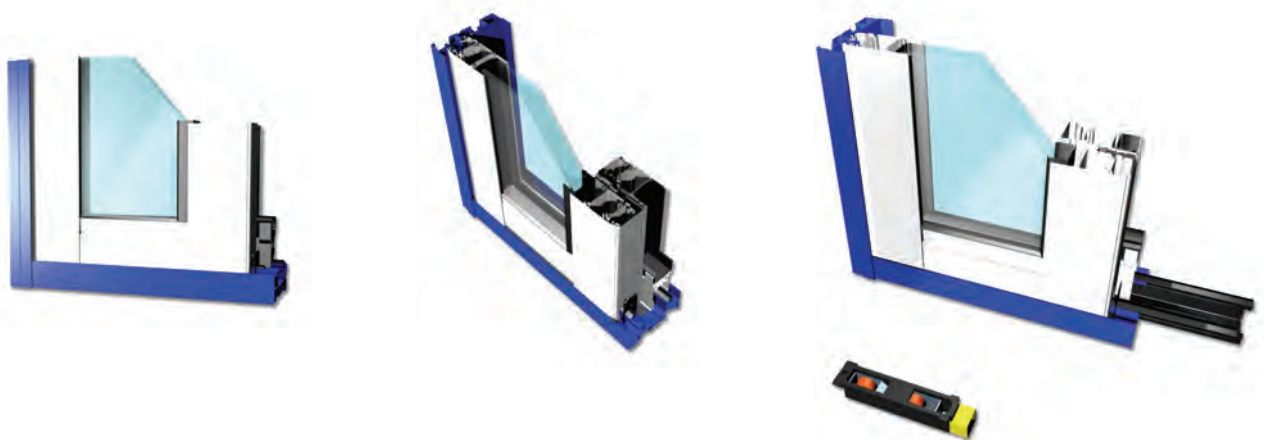
Size	Centre Pane Value (W/m ² K)		
	1.5	1.2	1.1
3400mm x 1900mm	2.08	1.84	1.76
2800mm x 1700mm	2.16	1.93	1.85
2000mm x 1450mm	2.33	2.11	2.04

Please Note: Sizes Based on 2 Pane 5P.i HSW Overall Frame.

Size Limitations

Design Wind Pressure	Width	Height
600 Pa	2400mm	2750mm
1200 Pa	2400mm	2200mm
2400 Pa	2400mm	1700mm

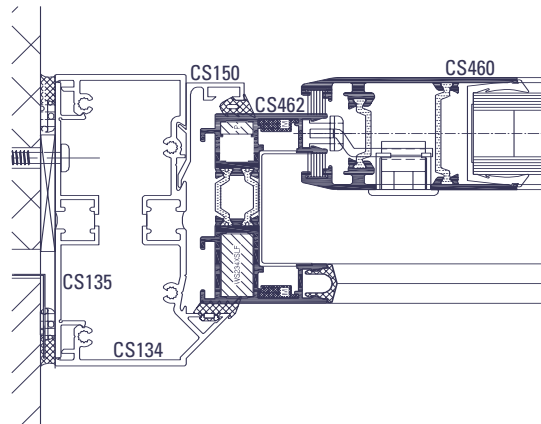
One leaf size using CS 470



comar 5P.i HSW

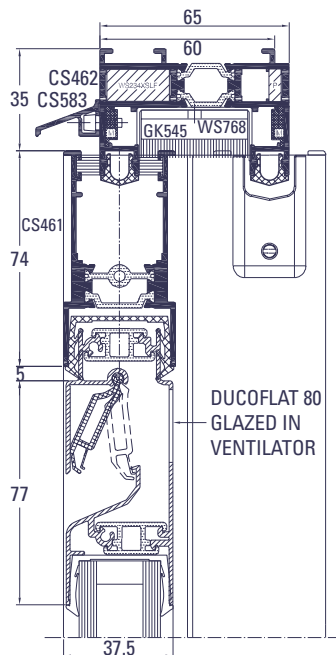
Integration Detail

General arrangement showing integration of Comar 5P.i HSW into Comar2 Window Walling.



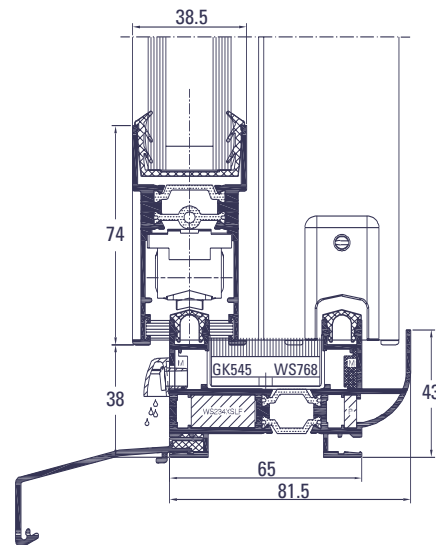
In-frame Window Ventilator

General arrangement showing glazed in Comar-DUCO Ventilator.



Sill Detail

General arrangement showing Comar 5P.i HSW Sill Detail



Technical Back-Up

An experienced Sales Team covers the UK while the Technical Department offers an unsurpassed design and installation advice service to designers, specifiers and fabricators; Simply call: +44(0) 20 8685 9685

For More Information

To find out more about this or any other Comar Architectural Aluminium System, or to obtain your personal copies of the COMAR TECHNICAL MANUALS call: +44(0) 20 8685 9685 or fax on: +44(0) 20 8646 5096