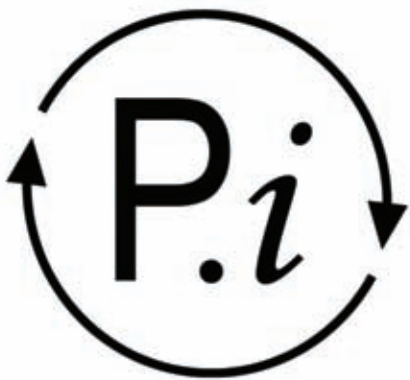


Uniclass	EPIC
L411:P43	D11:X421
CI/SfB	
(31-5)	Xh4



comar5P.i VSW

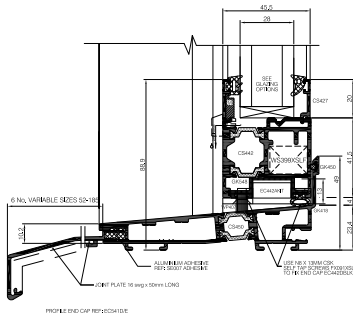
Vertical Sliding Window System



complementing architecture

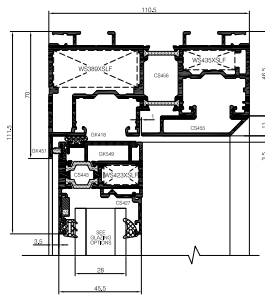
design

Sill Detail



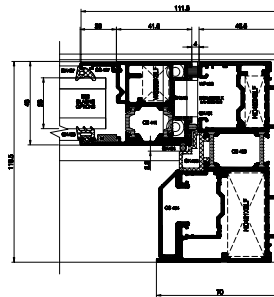
General arrangement showing sill detail of Comar 5P.i VSW

Head Detail



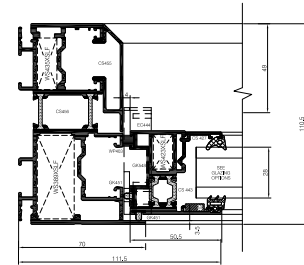
General arrangement showing Comar 5P.i VSW head detail

Jamb Detail, Lower Sash



General arrangement showing the lower sash jamb detail of the Comar 5P.i VSW

Jamb Detail, Upper Sash



General arrangement showing upper sash jamb detail of the Comar 5P.i VSW

Comar 5P.i Vertical Sliding Window

Comar 5P.i Vertical Sliding Window System (VSW) is the latest addition to the trademarked P.i polyamide insulation suite. P.i provides the assurance of low U-values with its energy efficient thermally broken profiles.

As with all the P.i suite you can rely on project-by-project U-values to support your calculations.

With more and more onus on the environment, Comar 5P.i VSW has been designed to provide specification solutions. Made from aluminium, one of the most recyclable building materials Comar 5P.i VSW ensures that sustainability concerns are alleviated. The aluminium profiles are extruded separately, then rolled together with 22mm polyamide strip providing an extremely effective thermal break to ensure that buildings are kept warm in the winter and cool in the summer.

This method of construction allows the specifier a further design opportunity; the internal and external profiles can be painted different colours. These dual colour options are available in all RAL or syntha pulvin colours, as well as anodised or sandalor shades. Colour swatches are available on request.

Vertical Sliding Windows either new build or refurbishment are required to be flexible; large or small sizes must provide an aesthetic solution. With its slim sightlines the Comar 5P.i VSW can be manufactured to fit openings upwards of 500mm wide and, depending on wind loading, up to 2800mm high.

The Comar 5P.i VSW, has passed BS7950 enhanced security. The window provides even more reliability and security features, such as sash locks with a concealed locking mechanism so the window can provide long lasting smooth operation as well as hidden locking. The sash lock includes a double keep which maintains security as well as providing trickle ventilation.

Internally beaded the Comar 5P.i VSW provides a neat exterior finish and can be coupled to other window configurations to create larger composites. Integration has also been catered for with dedicated profiles to allow incorporation into Comar 2 window walling.

Naturally, an inherent advantage of vertical sliding windows is their clear opening. Both sashes of the Comar 5P.i VSW have been designed to slide smoothly into an open position and the sashes to discretely combine to provide maximum air change. However, there are times when this is not required and Comar 5P.i VSW can be fitted with a lockable restrictor at 100mm increments. To ensure the continued long term visual appeal and maintenance of the Comar 5P.i VSW, both sashes can be tilted for cleaning.

Weather performance is assured with brush and bubble seals to the whole perimeter of each sash. An additional buffer seal is incorporated into the outer frame to increase weather resistance.

To comply with future demands, the Comar 5P.i VSW has a range of gaskets and beads which allow glazing from 22mm – 32mm.

perform

Combinations & Integration

The Comar 5Pi VSW can be coupled together to form multi-light configurations and integrates into existing Comar framing systems.

Glazing Options

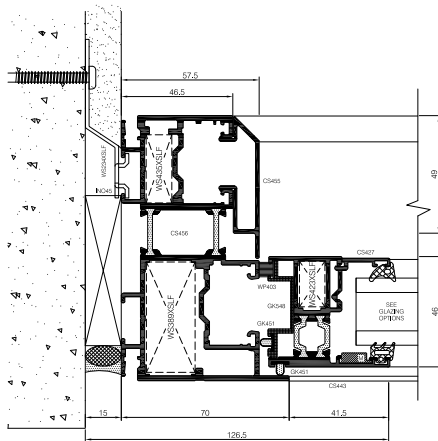
Both panels and glass can be incorporated into Comar 5Pi VSW using specific beads and gaskets for options between 22-32mm.

Construction

Frames are constructed with mitre joints with an inserted spring-loaded Monticelli cleat. The slide and tilt function of both sashes is created through Torso Balances and tilt restrictors which are designed to suit the window size and glass specified. The fabrication procedure allows the window to be manufactured with the balances already fitted into the outer frame, allowing the sashes to be installed on site quickly. Glazing is achieved using specific EPDM gaskets and beads, which snap-fit and create a water-tight barrier.

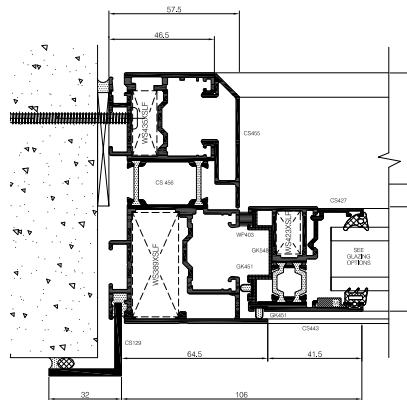
The window has a sash lock mechanism and a lockable restrictor as standard. High security options are also available.

Fixing Strap



General arrangement showing the fixing detail of Comar 5Pi VSW into a brick reveal using INO45R fixing strap

Direct Fix



General arrangement showing the fixing detail of Comar 5Pi VSW into a brick reveal using a direct fix option

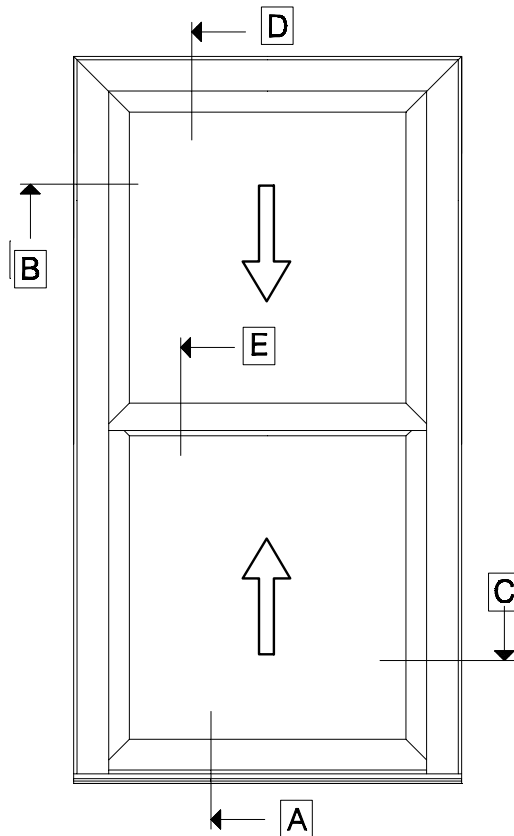
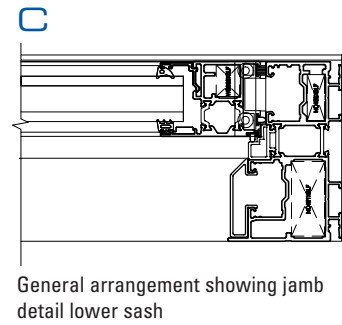
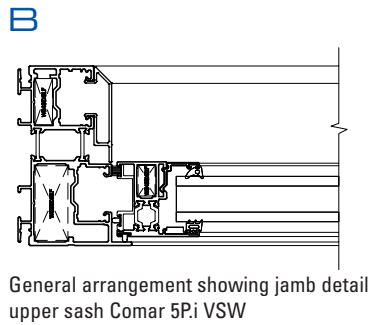
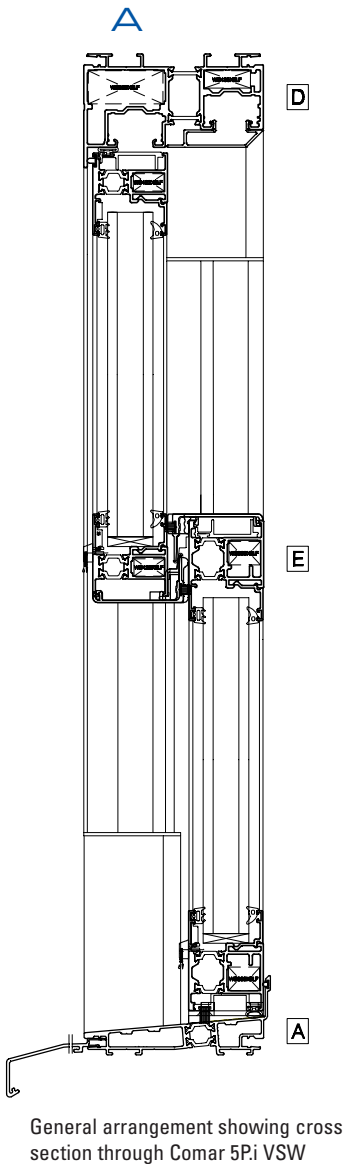
Upper/lower sash profile limitations

*Sashes are not equal.

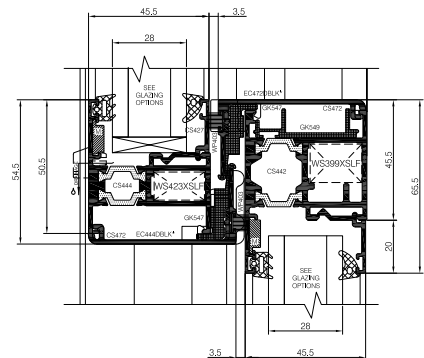
SASH WIDTH	lyy=4.1 cm ²	lyy=9.1 cm ²	lyy=4.1 cm ²	lyy=9.1 cm ²
	Upper Sash SLIDING	Lower Sash SLIDING	Upper Sash SLIDING/TILT	Lower Sash SLIDING/TILT
				
	CS444	CS442	CS444	CS442
MAXIMUM SASH HEIGHT				
750	1800*	1800*	1495*	1495*
800	1800*	1800*	1390	1390
850	1800*	1800*	1300	1300
900	1790*	1790*	1220	1220
950	1685*	1685*	1150	1150
1000	1595*	1595*	1085	1085
1050	1510*	1510*	1025	1025
1100	1435*	1435*	970	970
1150	1365	1365	925	925
1200	1305	1305	880	880
1250	1245	1245	840	840
1300	1175	1195	800	800
1350	1010	1145	770	770
1400	870	1100	735	735
1450	745	1055	705	705

Load chart based on 28mm (6/16/6) double glazed unit. For Wind Loading exceeding 1670Pa and window width more than 1420mm check Wind Load for the CS444/CS442. For exceeding maximum size limitation please contact Technical Department.

COMAR5P.i VSW



Stile Interlock Detail



Technical Back-Up

An experienced Sales Team covers the UK while the Technical Department offers an unsurpassed design and installation advice service to designers, specifiers and fabricators; simply call: +44(0) 20 8685 9685

For More Information

To find out more about this or any other Comar Architectural Aluminium System, or to obtain your personal copies of the COMAR TECHNICAL MANUALS call: +44(0) 20 8685 9685 or fax on: +44(0) 20 8646 5096

The Parkside Group Ltd

Unit 5, The Willow Centre
17 Willow Lane, Mitcham
Surrey CR4 4NX

Tel: +44(0) 20 8685 9685

Fax: +44(0) 20 8646 5096

Email: sales@parksidegroup.co.uk

Web: www.comar-alu.co.uk