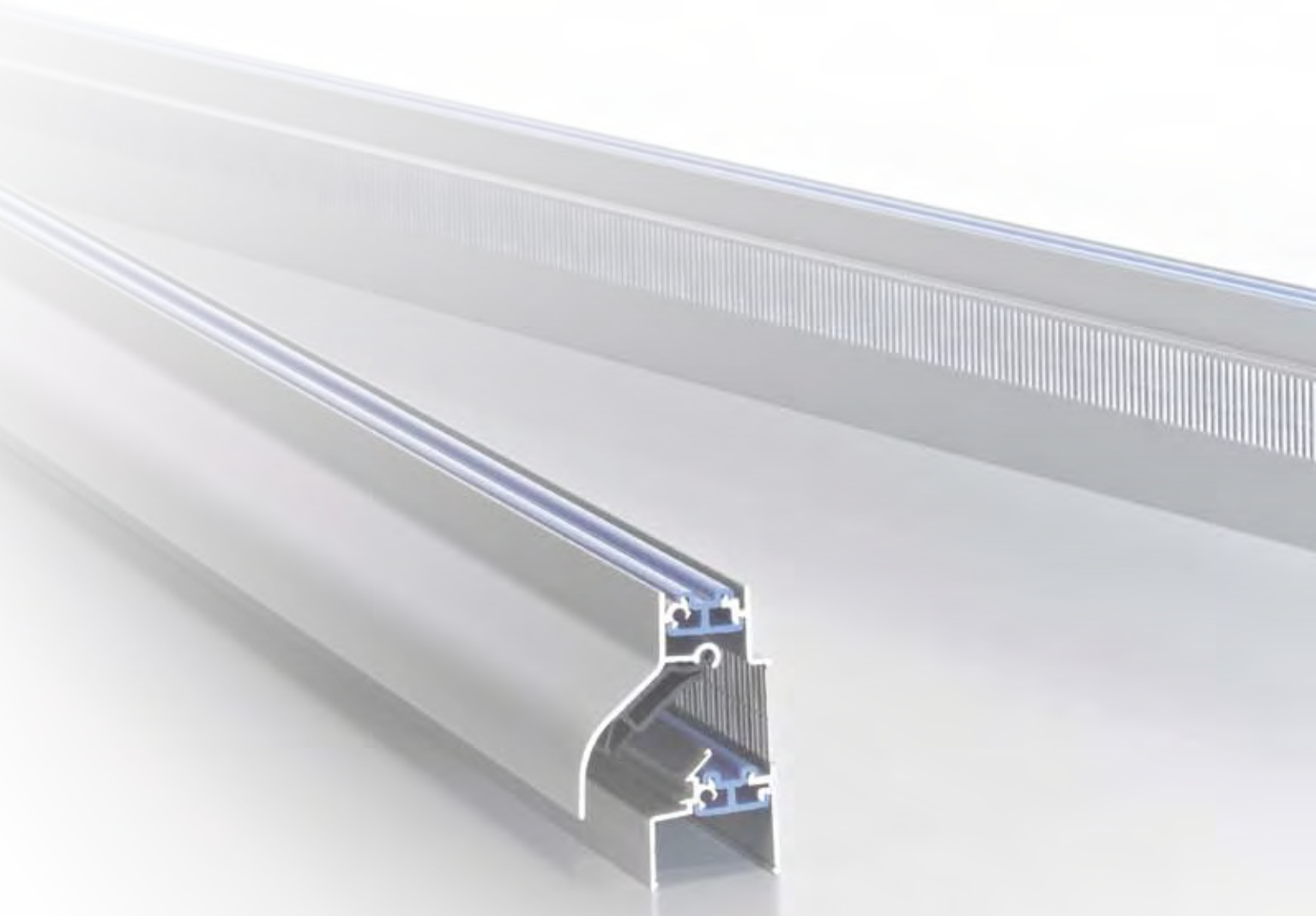


**DUCO**  
Ventilation & Sun Control

**NATURAL VENTILATION**





# DucoPlus 45

## Minimum glass reduction

DucoPlus 45 is a “controllable” aluminium glazed-in window ventilator featuring a smoothly curved canopy for superior weatherability and positive action inner ‘tip’ which directs the flow of incoming air upwards.

→ 45 mm glass reduction only and thermally broken.

→ Graduated operation for greater control.

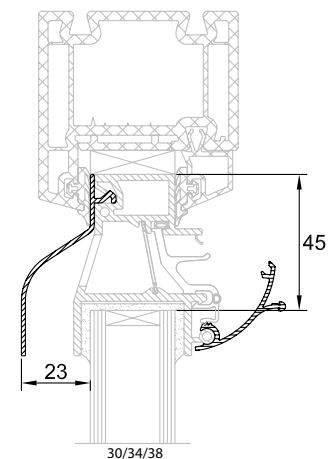
→ Positive action inner ‘tip’.

→ DucoPlus 45 on timber:

→ DucoPlus 45 on aluminium:

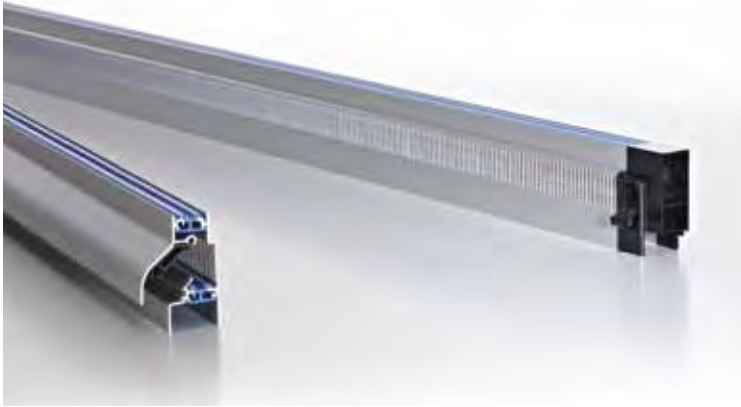
see [www.duco.eu](http://www.duco.eu)

→ DucoPlus 45 on uPVC



### Technical Specifications

|   |                    |                              |
|---|--------------------|------------------------------|
| Airflow at 1 Pa                               |                    | 7,2 l/s/m                    |
| Airflow at 2 Pa                               |                    | 37 m <sup>3</sup> /h/m       |
| Equivalent Area at 1 Pa                       |                    | 9162 mm <sup>2</sup> /m      |
| Free air performance                          |                    | 15000 mm <sup>2</sup>        |
| Wind and water tightness (in closed position) |                    | wind: 600 Pa / water: 900 Pa |
| Stiffness and strength                        |                    | Up to 600 Pa                 |
| Glass reduction                               |                    | 45 mm                        |
| Glass thicknesses                             |                    | 24,28 and 32 mm              |
| Vent height                                   |                    | 60 mm                        |
| Sound reduction, D <sub>ne</sub> , W (C;Ctr)  | in open position   | 25,0 dB (0;1)                |
|   | in closed position | 44,0 dB [-1;-2]              |
| U value                                       |                    | 1,84 W/m <sup>2</sup> K      |



# DucoPlus 60

## Compact vent

DucoPlus 60 is a “controllable” and thermally broken aluminium glazed-in window ventilator featuring a smooth external design with an internal “air deflector” directing the incoming air upwards, thus avoiding draughts.

→ Minimum glass reduction, maximum air throughput.

→ Good acoustic performance.

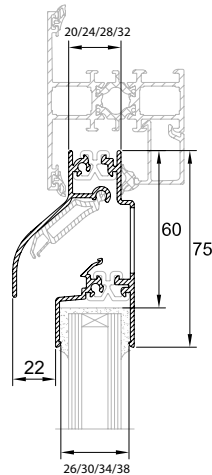
→ Authentic Duco Softline-Design.

→ DucoPlus 60 on timber:

→ DucoPlus 60 on aluminium:

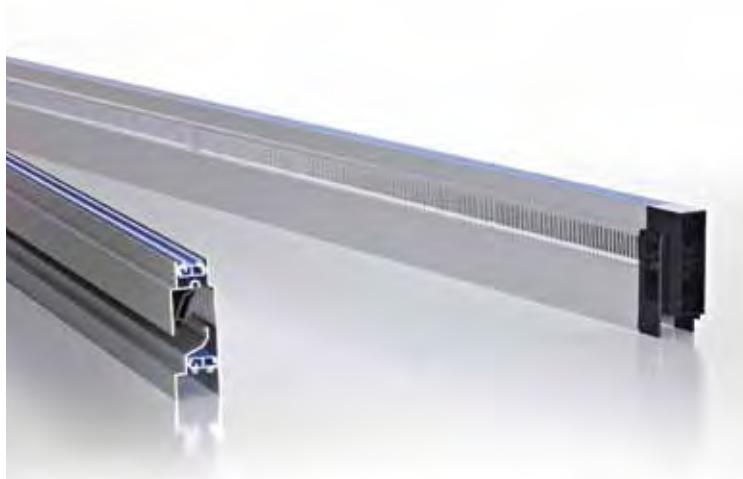
see [www.duco.eu](http://www.duco.eu)

→ DucoPlus 60 on uPVC



### Technical Specifications

|   |                    |                          |
|---|--------------------|--------------------------|
| Airflow at 1 Pa                               |                    | 13,5 l/s/m               |
| Airflow at 2 Pa                               |                    | 70 m <sup>3</sup> /h/m   |
| Equivalent Area at 1 Pa                       |                    | 17179 mm <sup>2</sup> /m |
| Free Air performance                          |                    | 15000 mm <sup>2</sup>    |
| Wind and water tightness (in closed position) |                    | Up to 650 Pa             |
| Stiffness and strength                        |                    | Up to 1430 Pa            |
| Glass reduction                               |                    | 60 mm                    |
| Glass thickness                               |                    | 20,24,28 and 32 mm       |
| Vent height                                   |                    | 75 mm                    |
| Sound reduction, D <sub>ne</sub> , W (C;Ctr)  | In open position   | 27,0 dB (0;0)            |
|   | In closed position | 45,0 dB (-1;-1)          |
| U value                                       |                    | 4,02 W/m <sup>2</sup> K  |



# DucoFlat 80 'SR'

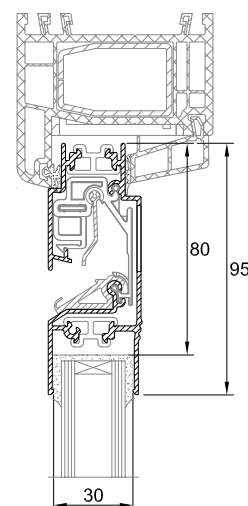
## Completely flat vent

DucoFlat 80 series vents provide a completely flat appearance and have been specifically engineered for integration in the fixed and sliding panes of a sliding window or a sliding door.

- Completely flat vent.
- Suitable for installation in the sliding panes of a sliding window or sliding door.
- Suitable for installation in the fixed panes of a sliding window or sliding door.

→ DucoFlat 80 on aluminium: → DucoFlat 80 on timber: see [www.duco.eu](http://www.duco.eu)

→ DucoFlat 80 on uPVC



### Technical specifications

|   |                    |                              |
|---|--------------------|------------------------------|
| Airflow at 1 Pa                               |                    | 11,55 l/s/m                  |
| Airflow at 2 Pa                               |                    | 59 m <sup>3</sup> /h/m       |
| Equivalent Area at 1 Pa                       |                    | 14697 mm <sup>2</sup> /m     |
| Free Air performance                          |                    | 15000 mm <sup>2</sup>        |
| Wind and water tightness (in closed position) |                    | wind: 650 Pa / water: 200 Pa |
| Stiffness and strength                        |                    | Up to 1600 Pa                |
| Glass reduction                               |                    | 80 mm                        |
| Glazing thickness                             |                    | 24, 28 and 32 mm             |
| Vent height                                   |                    | 95 mm                        |
| Sound reduction, D <sub>ne</sub> , W (C;Ctr)  | in open position   | 27,0 dB (0;-1)               |
|   | in closed position | 44,0 dB (0;-1)               |
| U value                                       |                    | 3 W/m <sup>2</sup> K         |



# DucoStrip

## Aluminium slot ventilators

DucoStrip is a high quality aluminium 'through the frame' slot ventilators. The combination of 'the smooth design and integrated endcaps and high quality polyester powder coating makes DucoStrip the preferred choice for any type of window frames.

- Smooth & Slim with minimum protrusion.
- Directs flow of incoming air upwards.
- Fitting screws concealed by smooth end caps.
- O-ring seal ensures highest rating of weather tightness: 900 Pa.

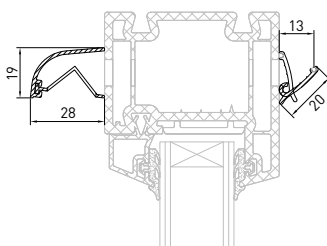
### Equivalent Area

| Vent length<br>(mm) | Slot height<br>(mm) | Equivalent area<br>(mm <sup>2</sup> ) |
|---------------------|---------------------|---------------------------------------|
| 340                 | 10                  | 2838                                  |
| 450                 | 10                  | 3868                                  |
| 290                 | 12                  | 2545                                  |
| 370                 | 12                  | 3385                                  |
| 230                 | 16                  | 2481                                  |
| 290                 | 16                  | 3359                                  |
| 360                 | 16                  | 4034                                  |
| 410                 | 16                  | 4579                                  |
| 460                 | 16                  | 5663                                  |
| 680                 | 16                  | 8348                                  |

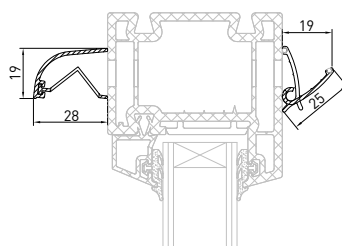
### Characteristics

- Material: aluminium: Al Mg Si 0,5 to DIN 1748, part 1
- Finishes: polyester powder coating (60µ): UV colourfast, anodised (20µ)
- End caps: white or black
- Screws: stainless steel A2 Philips screws 3,5 x 9 mm DIN 7891

#### → DucoStrip Controllable vents

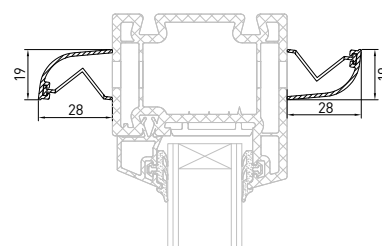


Canopy & 'slimline' stripvent  
(for slot widths 10 to 13 mm)



Canopy & 'wideline' stripvent  
(for slot widths 14 to 16 mm)

#### → DucoStrip Permanent vents



Canopy & canopy  
(for slot widths 12 to 16 mm)



## DucoTop 60 'SR'

### Invisible fitting

Sitting on top of the window frame, the vent is almost invisible. It does not interfere with the designed U value of the complete window. The integrity of the window frame and glazing is untouched. The Ducotop sits on top of any style of window frame, uPVC, aluminium or timber. From 50 to 190 mm in depth, and creates no visual distraction to the window. It removes the fitting of a vent from the window manufacturing process.

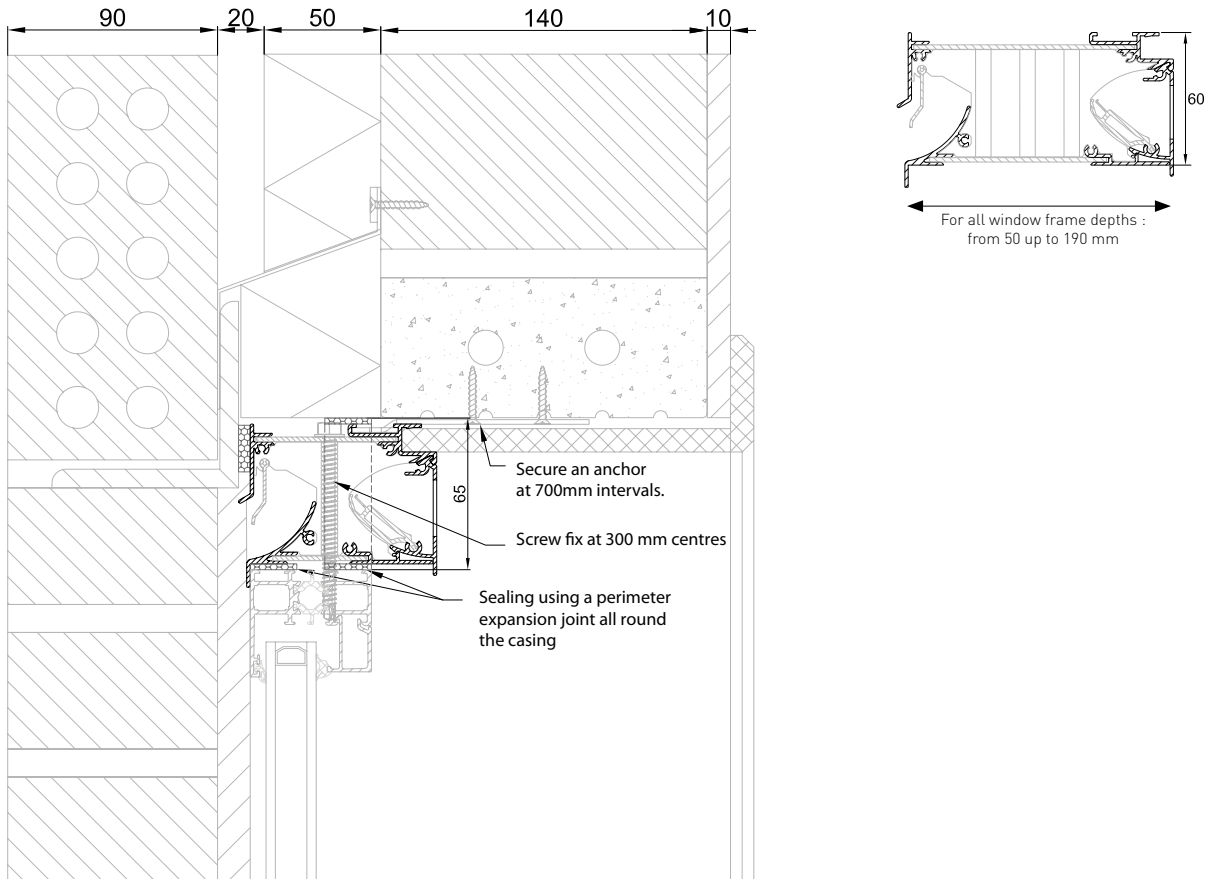
The self regulating vent equalizes the airflow thus avoiding uncomfortable draughts. The DucoTop range is further enhanced by the addition of the DucoTop 60 AK, the standard acoustic version, and for locations with higher noise levels, the DucoTop 60AK Plus is the answer !

### Technical Specifications

|  |                    |                         |
|--|--------------------|-------------------------|
| Sound reduction Dne, W (C;Ctr)   | in open position   | up to 27.0 dB (0;0)     |
|  | in closed position | 41.0 dB(0;-1)           |
| Water tightness (in the closed position) + Wind tightness (in the closed position) |                    | 650 Pa                  |
| Glass reduction  |                    | n/a                     |
| Vent height  |                    | 60 mm                   |
| Fitting height   |                    | 65 mm                   |
| U value  |                    | 1,85 W/m <sup>2</sup> K |

## Quick and easy installation

The window vent comes as a complete unit. The top is transparent and accommodates pre-drilled, glass-fibre reinforced joining elements. The top mounted self-anchoring channel ensures a quick and strong fixing to the adjacent walls. All movable parts are easy to replace.



## Performance

| Series               | Airflow at 1 Pa (l/s) | Airflow at 2 Pa (m³/h) | Equivalent Area at 1 Pa vent (mm²) | Free Air Performance mm²/l/m | Standard version |                          | Acoustic versions |                          |           |
|----------------------|-----------------------|------------------------|------------------------------------|------------------------------|------------------|--------------------------|-------------------|--------------------------|-----------|
|                      |                       |                        |                                    |                              | SR               | AK                       | AK+               |                          |           |
|                      |                       |                        |                                    |                              | Position         | Dne, W (C;Ctr), in dB(A) | Position          | Dne, W (C;Ctr), in dB(A) |           |
| Corto<br>50-70 mm    | 11,3                  | 58,3                   | 14379                              | 14000                        | Open             | 25 [0;-1]                | Open              | n/a                      | n/a       |
|                      |                       |                        |                                    |                              | Closed           | 41 [0;-1]                | Closed            | n/a                      | n/a       |
| Basso<br>70-90 mm    | 11,6                  | 59,4                   | 14761                              | 14000                        | Open             | 27 [-1;-2]               | Open              | 28 [0;-1]                | n/a       |
|                      |                       |                        |                                    |                              | Closed           | 41 [0;-1]                | Closed            | 44 [-1;-2]               | n/a       |
| Medio<br>90-110 mm   | 10,9                  | 55,8                   | 13870                              | 14000                        | Open             | 26 [0;-1]                | Open              | 29 [0;-1]                | n/a       |
|                      |                       |                        |                                    |                              | Closed           | 41 [0;-1]                | Closed            | 46 [-1;-2]               | n/a       |
| Alto<br>110-130 mm   | 11,1                  | 56,8                   | 14125                              | 14000                        | Open             | 26 [0;0]                 | Open              | 30 [0;-1]                | n/a       |
|                      |                       |                        |                                    |                              | Closed           | 41 [0;-1]                | Closed            | 45 [-1;-2]               | n/a       |
| Largo<br>130-150 mm  | 11,6                  | 59,0                   | 14761                              | 14000                        | Open             | 27 [-1;-1]               | Open              | 31 [-1;-2]               | n/a       |
|                      |                       |                        |                                    |                              | Closed           | 41 [0;-1]                | Closed            | 47 [0;-2]                | n/a       |
| Grando<br>150-170 mm | 10,8                  | 55,4                   | 13743                              | 14000                        | Open             | 27 [0;0]                 | Open              | 32 [-1;0]                | n/a       |
|                      |                       |                        |                                    |                              | Closed           | 41 [0;-1]                | Closed            | 49 [0;-2]                | n/a       |
| Jumbo<br>170-190 mm  | 11,4                  | 58,6                   | 14506                              | 14000                        | Open             | 27 [0;0]                 | Open              | 33 [-1;-2]               | 42 [0;-2] |
|                      |                       |                        |                                    |                              | Closed           | 41 [0;-1]                | Closed            | 48 [-1;-2]               | 48 [0;-2] |

## Optional

→ The end caps can be finished to any RAL colour.



## GlasMax 'SR'

### 'Acoustic ventilator'

GlasMax 'SR' is an acoustic and thermally broken vent engineered for installation on glazing. The acoustic air inlet is exceptionally suitable for low-level noise disturbance; can achieve up to 34 dB.

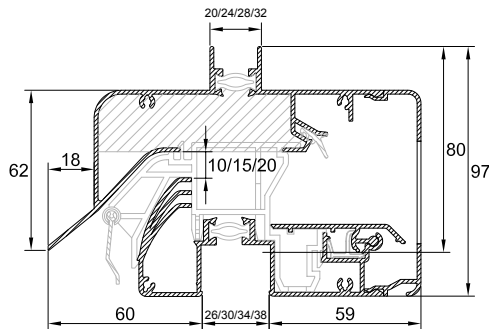
- Vent with sound absorbing infill made from sustainable materials.
- The sound absorbing material filters the air inflow, thereby reducing airborne irritants.
- Suited to high-rise applications.
- Three different air flow rates.

### Technical Specifications

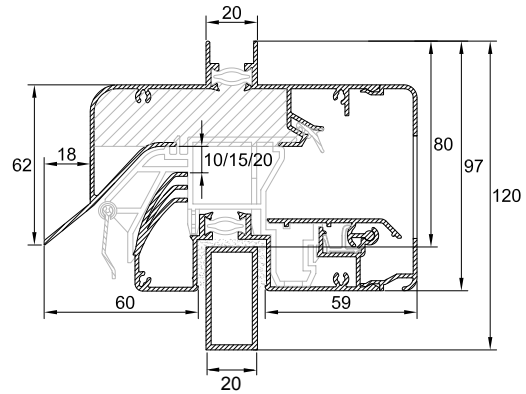
|   |                         |
|---|-------------------------|
| Water tightness (in closed position)                | 1050 Pa                 |
| Wind tightness (in closed position)                 | 600 Pa                  |
| Glass reduction                                     | 80 mm                   |
| Glazing thickness                                   | 20/24/28/32 mm          |
| With transom profile                                | 40 x 20 mm              |
| Compact transom mounting, including built-in height | 90 mm                   |
| Vent height   |                         |
| Installation on glass                               | 97 mm                   |
| Transom mounting                                    | 120 mm                  |
| Compact transom mounting                            | 120 mm                  |
| U value   | 1,56 W/m <sup>2</sup> K |



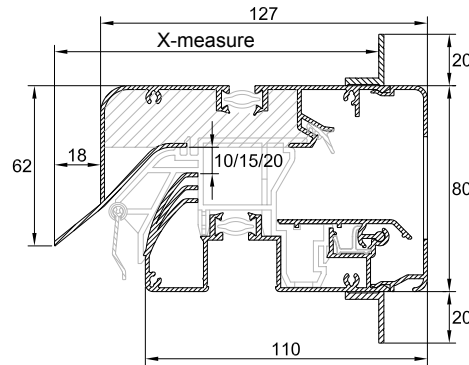
→ GlasMax 'SR'  
Fitting over the glass



→ GlasMax 'SR'  
Transom mounting



→ GlasMax 'SR'  
Compact transom mounting



Performance

| Air slot | Airflow at 1 Pa (l/s) | Airflow at 2 Pa (m³/h) | Equivalent Area at 1 Pa vent (mm²) | Free Air Performance mm²/l/m | D <sub>ne,W</sub> (C, Ctr) in dB (vent open) |
|----------|-----------------------|------------------------|------------------------------------|------------------------------|--|
| 10 mm    | 14,5                  | 74,8                   | 18451                              | 10000                        | 34 (-1;-2)                                   |
| 15 mm    | 20,5                  | 102,7                  | 26086                              | 15000                        | 32 (0;-1)                                    |
| 20 mm    | 23,6                  | 119,7                  | 30031                              | 20000                        | 30 (0;-1)                                    |

| Air slot | Octave band values in dB |        |        |         |         |
|----------|--------------------------|--------|--------|---------|---------|
|          | 125 Hz                   | 250 Hz | 500 Hz | 1000 Hz | 2000 Hz |
| 10 mm    | 28,0                     | 30,2   | 27,9   | 35,4    | 35,8    |
| 15 mm    | 27,7                     | 29,4   | 27,3   | 32,8    | 33,2    |
| 20 mm    | 26,2                     | 29,0   | 26,1   | 31,1    | 31,3    |

Glazing gasket application

| Types of glazing gasket | Height in mm | Glazing thickness |       |       |       |
|-------------------------|--------------|-------------------|-------|-------|-------|
|                         |              | 20 mm             | 24 mm | 28 mm | 32 mm |
| Universal 20,24,28      | 15           | ✓                 | ✓     | ✓     |       |
| 28-36 SV*               | 15           |                   |       | ✓     | ✓     |

\*Silicone-free



# DucoMax 'SR'

## Superior sound absorption

DucoMax 'SR' is a self regulating, acoustic vent (sound attenuating ventilator), specifically engineered for situations exposed to high levels of noise disturbance. The various types are attractively designed and offer excellent acoustic and airflow performance. The external profile is available in three different versions.

→ Three types of external profile : BudgetLine, SoftLine and LamellLine.

→ Four fitting depths : Corto (small), Medio (medium), Alto (large), Largo (extra large).

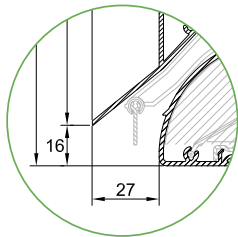
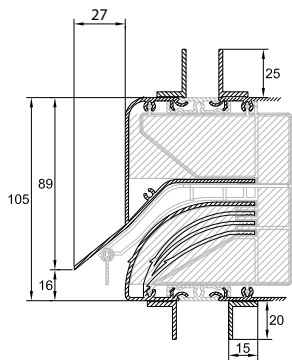
→ Suited to situations giving rise to high levels of noise disturbance.

→ Mounts on any type of installation.

### Technical specifications

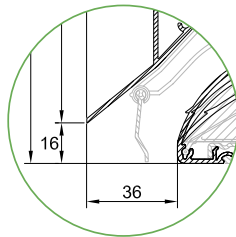
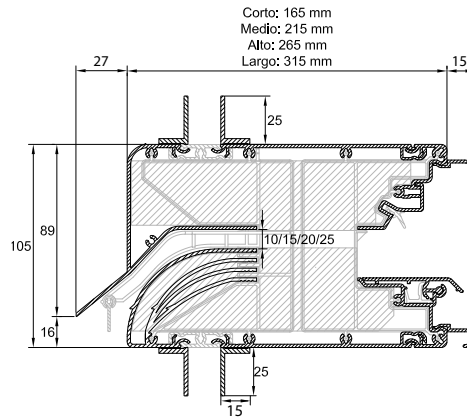
|   |                            |
|---|----------------------------|
| Water tightness (in closed position)                | 1050 Pa                    |
| Wind tightness (in closed position)                 | 600 Pa                     |
| Strength and rigidity                               | Meets the highest standard |
| Glass reduction                                     | 135 mm                     |
| Compact transom mounting, including built-in height | 115 mm                     |
| Vent height   |                            |
| Installation on glazing                             | 150 mm                     |
| Transom mounting                                    | 155 mm                     |
| Compact transom mounting                            | 145 mm                     |
| U value   | 2,58 W/m <sup>2</sup> K    |

→ DucoMax 'SR'  
Fitting over the glass



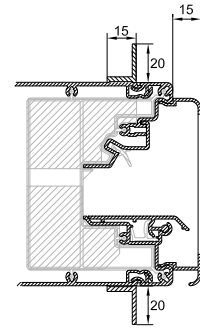
→ Suits 10 mm air slot.

→ DucoMax 'SR'  
Transom mounting



→ Suits 15, 20 & 25 mm air slot.

→ DucoMax 'SR'  
Compact transom mounting



## Performance

| DucoMax  | Airflow at 1 Pa (l/s) | Airflow at 2 Pa (m <sup>3</sup> /h) | Equivalent Area at 1 Pa vent (mm <sup>2</sup> ) | Free Air Performance mm <sup>2</sup> /l/m | D <sub>ne,W</sub> (C;Ctr) in dB (vent open) | Octave band values in dB |      |      |      |      |
|----------|-----------------------|-------------------------------------|---|---|---|--------------------------|------|------|------|------|
|          |                       |                                     |   |   |   | 125                      | 250  | 500  | 1000 | 2000 |
| Corto 10 | 13                    | 67,3                                | 16542   | 10000                                     | 41 (-1;-2)                                  | 32,8                     | 33,7 | 39,5 | 44,4 | 40,0 |
| Corto 15 | 20,7                  | 104,8                               | 26341   | 15000                                     | 38 (0;-2)                                   | 30,4                     | 30,8 | 34,6 | 40,5 | 40,1 |
| Corto 20 | 26,9                  | 137,1                               | 34230   | 20000                                     | 36 (0;-2)                                   | 29,4                     | 28,6 | 32,1 | 38,7 | 38,2 |
| Corto 25 | 32                    | 163,1                               | 40720   | 25000                                     | 36 (-1;-3)                                  | 29,0                     | 28,4 | 30,5 | 37,2 | 39,9 |
| Medio 10 | 11,2                  | 56,6                                | 14252   | 10000                                     | 44 (-1;-2)                                  | 35,1                     | 35,1 | 42,5 | 49,3 | 43,1 |
| Medio 15 | 17,7                  | 91,4                                | 22523   | 15000                                     | 42 (-1;-3)                                  | 31,1                     | 33,4 | 37,2 | 47,9 | 45,2 |
| Medio 20 | 25,6                  | 132,5                               | 32576   | 20000                                     | 39 (-1;-2)                                  | 30,3                     | 30,5 | 36,5 | 43,3 | 39,0 |
| Medio 25 | 30,8                  | 156,6                               | 39193   | 25000                                     | 37 (-1;-3)                                  | 28,8                     | 28,3 | 31,6 | 39,3 | 41,2 |
| Alto 10  | 11,9                  | 60,8                                | 15143   | 10000                                     | 47 (-1;-3)                                  | 34,3                     | 37,5 | 44,1 | 51,1 | 48,7 |
| Alto 15  | 17,5                  | 90,4                                | 22269   | 15000                                     | 45 (-1;-4)                                  | 32,1                     | 34,6 | 41,2 | 50,0 | 47,7 |
| Alto 20  | 26,3                  | 134,6                               | 33467   | 20000                                     | 41 (0;-3)                                   | 29,5                     | 31,3 | 38,0 | 48,5 | 42,9 |
| Alto 25  | 29,7                  | 150,5                               | 37793   | 25000                                     | 39 (-1;-4)                                  | 28,3                     | 28,9 | 33,9 | 45,4 | 40,9 |
| Largo 10 | 11,9                  | 60,8                                | 15143   | 10000                                     | 51 (-2;-5)                                  | 35,0                     | 40,1 | 49,6 | 57,0 | 52,2 |
| Largo 15 | 17,9                  | 92,5                                | 22778   | 15000                                     | 44 (-2;-3)                                  | 32,1                     | 36,5 | 43,2 | 53,2 | 40,9 |
| Largo 20 | 26,9                  | 137,2                               | 34230   | 20000                                     | 42 (-1;-2)                                  | 30,2                     | 34,2 | 42,4 | 47,4 | 41,2 |
| Largo 25 | 28,9                  | 147,6                               | 36775   | 25000                                     | 40 (-1;-2)                                  | 29,6                     | 31,3 | 38,3 | 44,5 | 39,9 |

