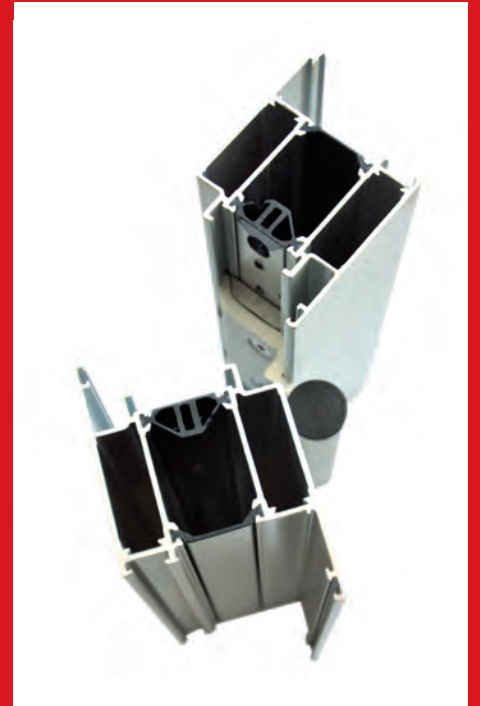


WICSTYLE 65 Aluminium doors



» Aluminium doors

Designed to meet the needs of a new generation of buildings intended to limit energy consumption, the entire 65 mm range features excellent thermal and acoustic properties, and maximum sizes.

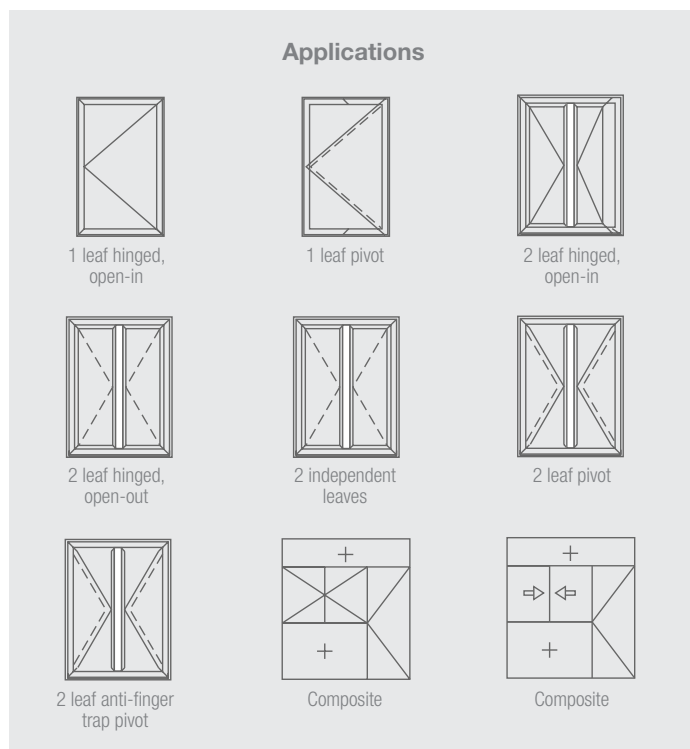
Developed for educational, retail, commercial and residential buildings, WICSTYLE 65 doors complement the 65 mm range

that consists of windows, patio doors and sliding doors.

Compatibility between the components (architraves, sills, flashings, corner cleats, glazing beads, gaskets) gives the 65 mm range significant advantages: aesthetics and visual unity, inventory optimisation, simplified and identical manufacturing process.

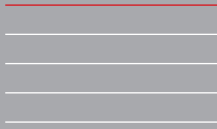


Hinged doors open-in or open-out	4-5
Heavy traffic hinged doors	6
Hardware	7
Hinged and heavy traffic doors	
Pivot door	8-9
Anti-finger trap pivot door	10
Hardware	11
Anti-finger trap and pivot door	



- 1 | ABB Arena, Sweden
Architect: Sweco FFNS - Arkitekter AB - Photo: WICONA Rights
- 2 | UP Luxeuil, France
Architect: Archi+Tech - Company: Simard
- 3 | EADS Manching - Geb. B2, Germany
Architect: K + P Architekten und Stadtplaner - Company: Dodel Metallbau - Photo: WICONA Rights

» Heavy traffic hinged doors





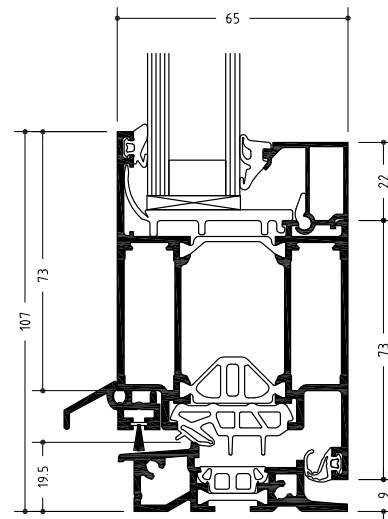
Hinged doors open-in or open-out

Main entrances, entrance doors - Efficiency, performance and excellent weather tightness with the continuous frame opening leaf.

- Maximum sizes per leaf: L 1,350 mm - H 2,500 mm
- Continuous frame opening leaf
- Clamp hinges:
 - 130 kg /leaf – 2 hinges
 - 150 kg /leaf – 3 hinges
- Weathertight disabled access threshold
- Locks installed on a PVC backing prevents thermal bridging

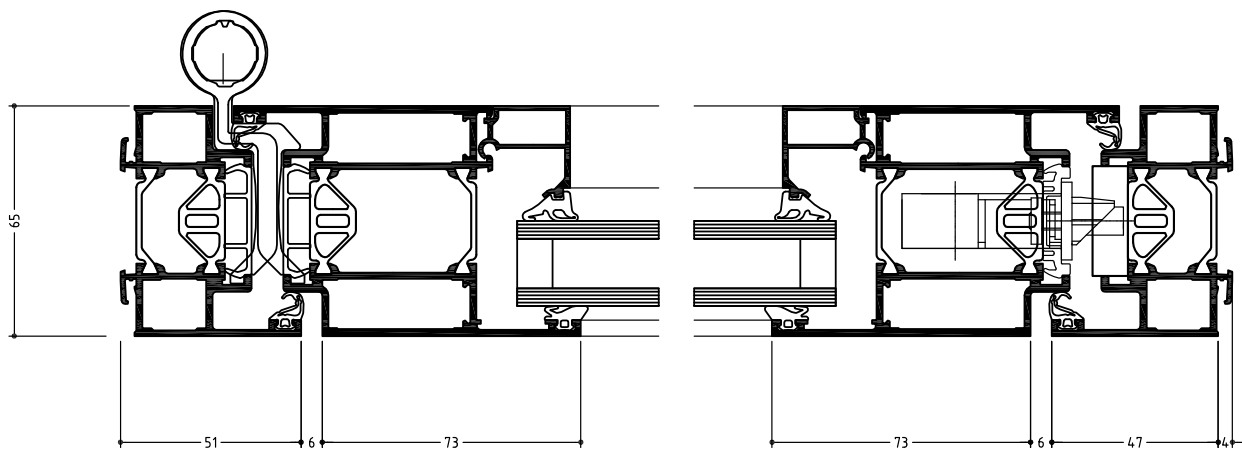
Performances

- $U_w = 1.7 \text{ W/m}^2\cdot\text{k}$ with double glazing $U_g 1.1 \text{ W/m}^2\cdot\text{k}$
- Weather (AEV):
 - 1 leaf: outer frame L 1,304 mm - H 2,261 mm (opening frame 1,200 mm - H 2,200 mm) A*4 – E*7A – V*C2
 - 2 leaves: outer frame L 1,900 mm - H 2,261 mm (opening frame 907 mm - H 2,200 mm) A*4 – E*4A – V*C2



Vertical cross-section (scale 1/3)

Open-in hinged door, frame chamber 18 with clamp hinges and weather-tight disabled threshold



Horizontal cross-section (scale 1/3)

WICSTYLE 65



1 | EADS Manching - Geb. B2, Germany
 Architect: K + P Architekten und Stadtplaner - Company: Dodel Metallbau - Photo: WICONA Rights

Heavy traffic hinged door

Shopping centres, thoroughfares, high-volume traffic.

Size limits enhanced with reinforced profile walls.

- Increased achievable opening width with single leaf (1,400 mm)
- Maximum dimensions per leaf: L 1,500 mm - H 2,600 mm
- Continuous frame opening sash
- 2 or 3 part clamp hinges
- Weathertight disabled access threshold

Performance

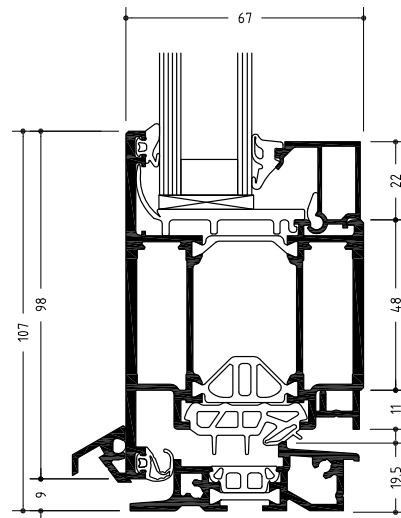
- $U_w = 1.7 \text{ W/m}^2\cdot\text{k}$ with double glazing $U_g 1.1 \text{ W/m}^2\cdot\text{k}$
- Weather (AEV): A*4 – E*5A – VC*2
 1 leaf: outer frame L 1,604 mm - H 2,661 mm
 (opening frame: L 1,500 mm - H 2,600 mm)
- Door certified to Class 8 - 1 million cycles
 Certificate PR 002390 FR 04

Tests conducted at IFT Rosenheim

Single action door, 1 leaf inward opening: 11-001321-PR01 (PB-C01-0203-de-01).

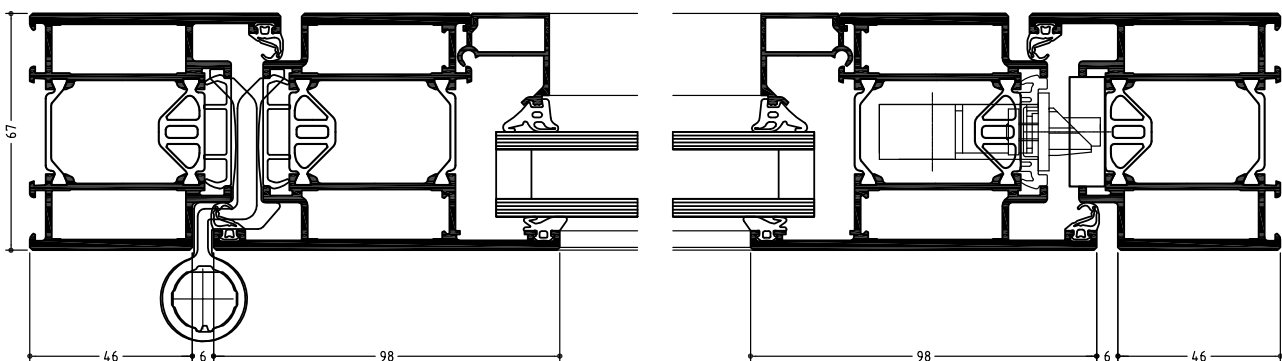
Single action door, 2 leaf inward opening: 11-001321-PR02 (PB-C01-02-de-01).

Single action door, reinforced, 1 leaf inward opening: 11-001321-PR03 (PB-C01-02-de-01).



Vertical cross-section (scale 1/3)

Outward opening hinged door, reinforced opening and out frames with clamp hinges and weathertight threshold



Horizontal cross-section (scale 1/3)

**Hardware for hinged and heavy traffic doors:
innovations for improved performance (thermal, air, wind, water)
and simplified manufacturing**

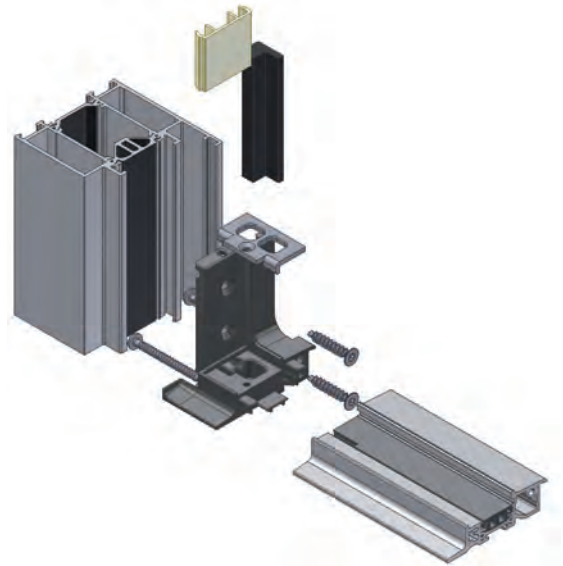
Adjustable 2-part clamp hinge

- 130 kg / leaf with 2 hinges
150 kg / leaf with 3 hinges
- No machining (clamp installation)
- Clamp fixing over the thermal break
- Solution with hinge available



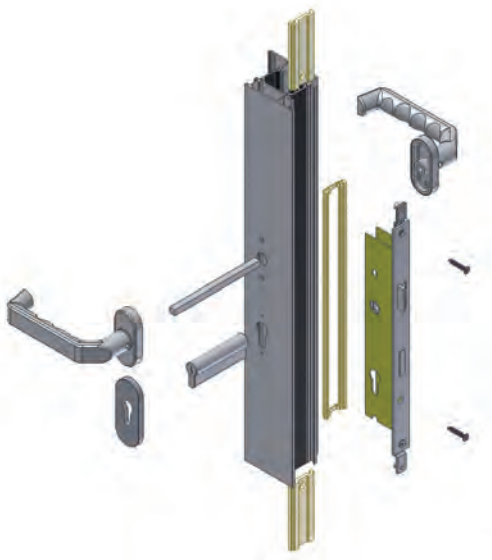
Threshold connector

- Pocket for locking pin and latch (avoids drilling the threshold)
- Injection duct for optimal sealing
- No machining on the threshold (straight cut)
- Threshold can be removed after installation
- Continuity of weather seal with connector



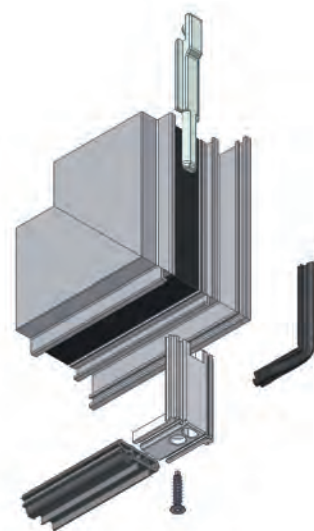
Thermally isolated locks

- Polyamide faceplate support
- Elimination of thermal bridge between faceplate and profile
- Polyamide catch and link rod (no thermal conduction)
- Reinforced thermal bar for direct screw-fixing (WICONA solution)

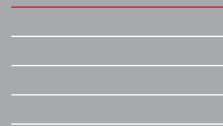


Opening frame corner piece

- Combines holding the locking pin and supporting the sealing gasket
- Continuity with threshold connector ensures excellent weather performance (air, wind, water)



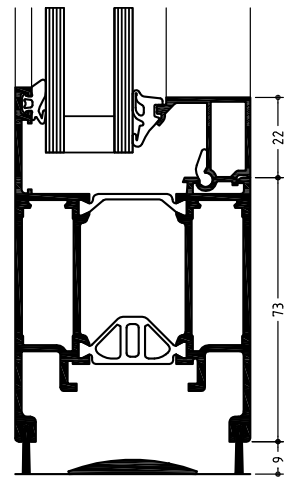
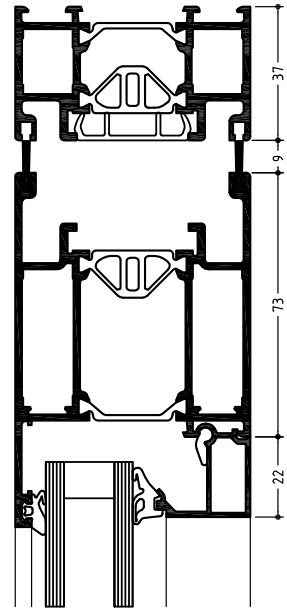
» Pivot and anti-finger trap doors



Pivot door

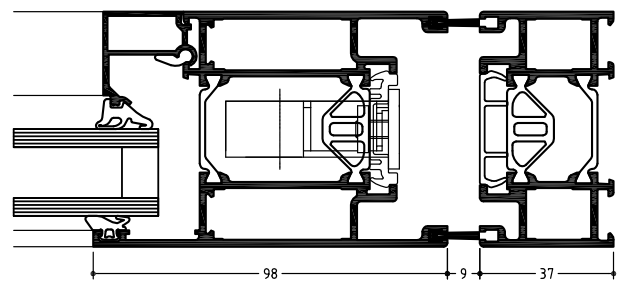
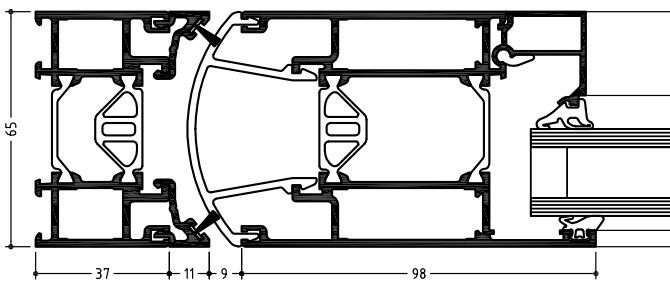
Main entrances, retail – Simple manufacturing, reduced machining due to the continuous frame opening leaf

- Standard continuous frame opening leaf
- Sections identical to the hinged door
- Independent 2-leaf doors: simplified manufacturing
- Maximum sizes per leaf: L 1,350 mm - H 2,500 mm
- Option for concealed overhead closer in the top transom



Vertical cross-section (scale 1/2)

Pivot door, flat threshold



Horizontal cross-section (scale 1/2)

WICSTYLE 65

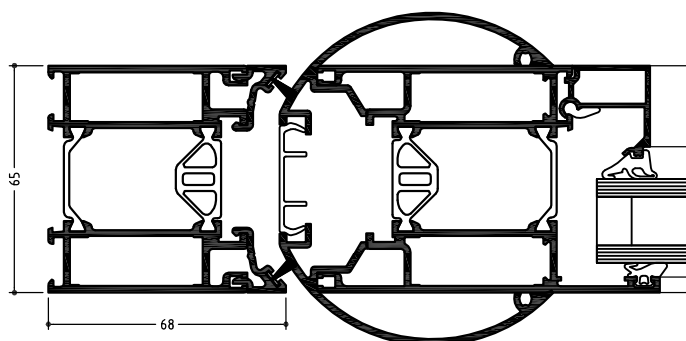


1 | WICONA, Batimat 2011

Photo: DR

2 | UP Luxeuil

Architect: Archi+Tech - Company: Simard



Horizontal cross-section (scale 1/2)

Anti-finger trap pivot door

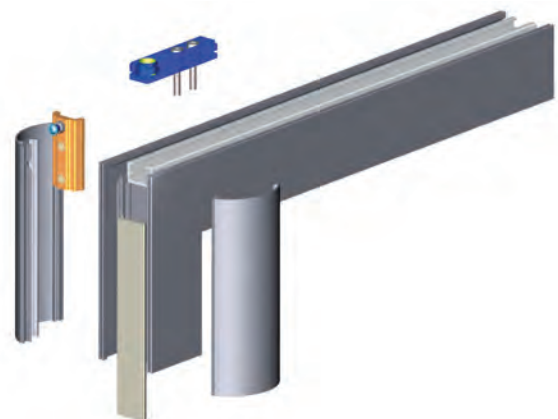
Healthcare buildings, nurseries, schools, colleges – Profiles identical to the pivot door, simplified manufacturing, reduced machining, direct installation on to floor (no floor pocket).

- Standard continuous frame opening leaf
- Section identical to the hinged door
- Anti-finger trap adapter, pre-machined
- Maximum size per leaf: L 1,350 mm - H 2,500 mm
- Threshold fixed on to the floor
- No floor recess/pocket
- Allows concealed overhead closer

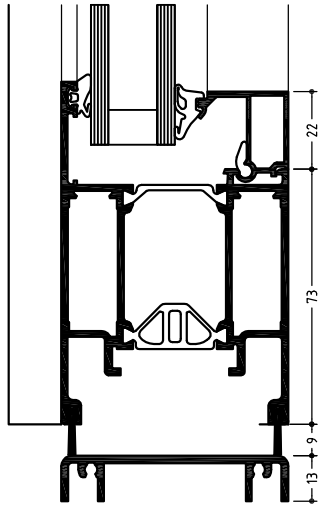


Anti-finger trap adapter

- No machining, direct screw-fixing of half-round profile
- Fits opening leaf, continuous frame pivot door
- Connection of half-profiles with PVC channel cover (for thermal break)



Anti-finger trap door with rounded side jamb adapter profile, continuous frame opening leaf and 13 mm flat threshold.

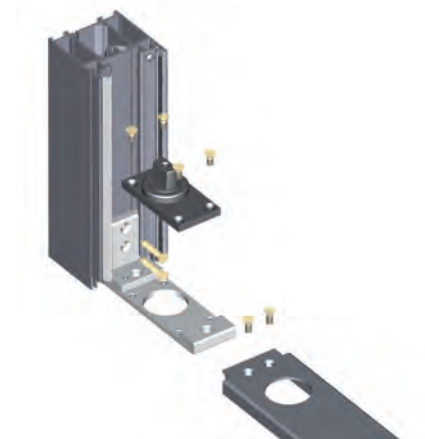


Vertical cross-section (scale 1/2)

Hardware for anti-finger trap pivot doors: innovations supporting performance (thermal, air, wind, water) and simplified manufacturing

Threshold and bottom pivot

- 13 mm threshold (disabled access)
- Direct installation on to finished floor without fittings recess
- Replaceable threshold bar allowing integration of the bottom pivot



Pivot door

- Standard continuous frame opening leaf
- Opening leaf profile identical to the hinged door. Allows mix of opening frames
- Rounded PVC profile clipped to the opening frame, no brushpile integrated to profile



Top pivot

- Integration through top transom
- Self positioning
- No machining on the opening frame



WICONA®

Headquarters

270 rue Léon Joulin - BP 63709
31037 Toulouse cedex 01 - France
Phone +33 5 61 31 26 26
www.wicona-int.com

China

5C-15 LIANDO
International Industry Park
Maju Bridge
Tongzhou District, Beijing, PRC
101102
Phone +8610 6059 5686
www.wicona.cn

Middle East

Qatar Science & Technology Park
P.O. Box 210216
Doha - Qatar
Phone +974 44 91 25 52
www.wicona-int.com

United Kingdom

Silkwood Park
Wakefield WF5 PTG
United Kingdom
Phone +44 845 602 8799
www.wicona.co.uk

www.wiconafinder.com